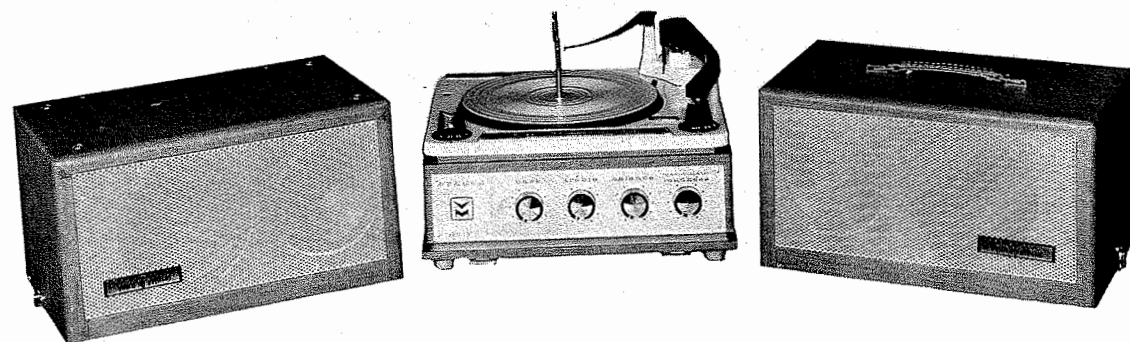


V-M MODELS
207, 307V-M MODELS
207, 307

TRADE NAME	V-M Models 207, 307
MANUFACTURER	V-M Corp., 375 W. Main Street, Benton Harbor, Michigan
TYPE SET	AC Operated 3 Tube Stereo Phono Amplifier With 4-Speed Automatic Record Changer (Model 207 is a Manual Record Player)
POWER SUPPLY	110 - 120 Volts AC, 60 Cycles RATING 49 Watts, .5 Amp. @117 Volts AC (Less Motor)

FOR SERVICE INFORMATION ON RECORD CHANGER - SEE V-M 1201 - PHOTOFACT SET 436 FOLDER 18 OR
RECORD CHANGER MANUAL RC-12

HOWARD W. SAMS & CO., INC. Indianapolis 6, Indiana



The listing of any available replacement part herein does not constitute in any case a recommendation, warranty or guaranty by Howard W. Sams & Co., Inc., as to the quality and suitability of such replacement part. The numbers of these parts have been compiled from information furnished to Howard W. Sams & Co., Inc., by the manufacturers of

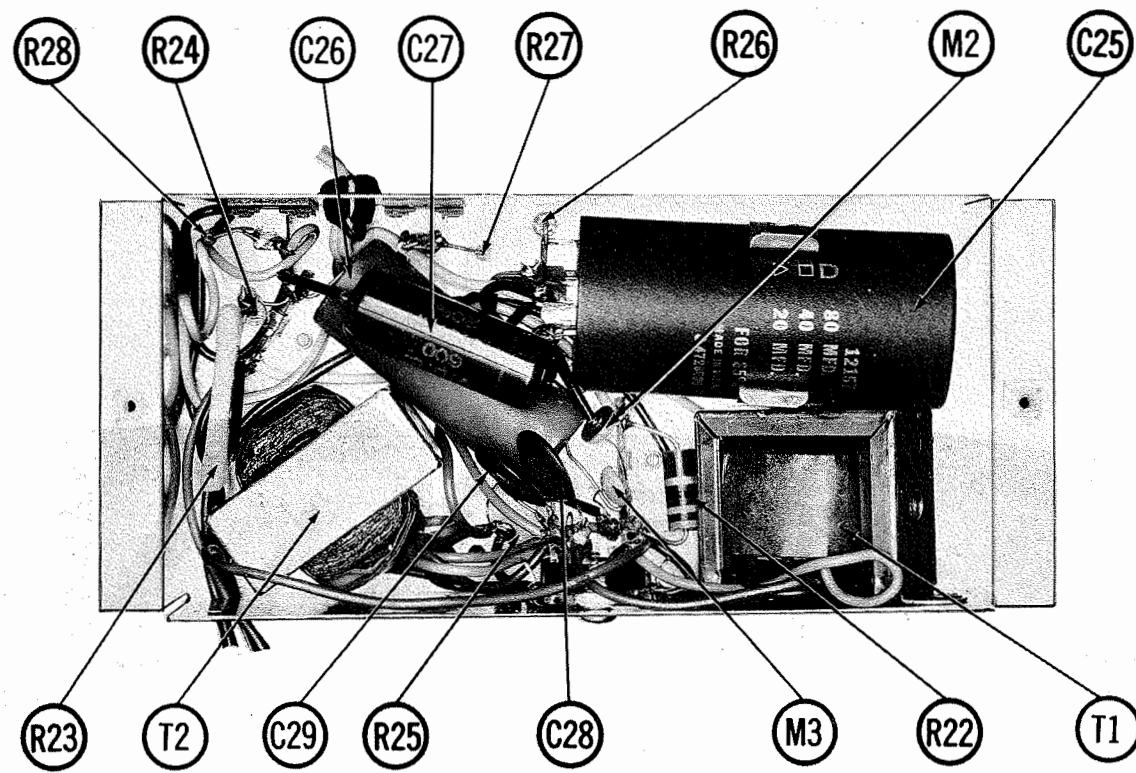
the particular type of replacement part listed. Reproduction or use, without express permission, of editorial or pictorial content, in any manner, is prohibited. No patent liability is assumed with respect to the use of the information contained herein. © 1961 Howard W. Sams & Co., Inc., Indianapolis 6, Indiana. Printed in U.S. of America

DATE 4 - 61

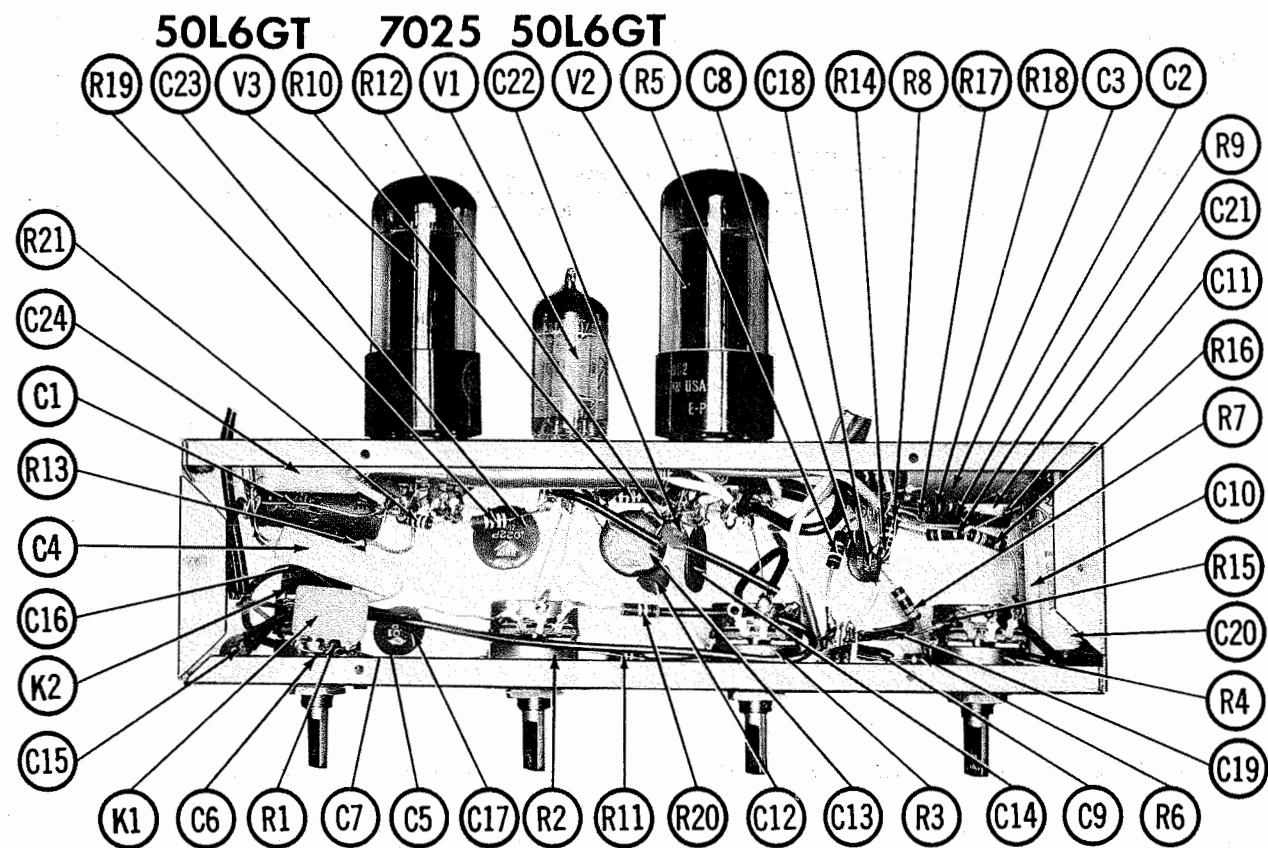
SET 526

FOLDER 12

SET 526
FOLDER 12



POWER CHASSIS



AMP CHASSIS

POWER PARTS LIST AND DESCRIPTIONS

ITEM No.	REPLACEMENT DATA				NOTES
	V-M PART No.	MALLORY PART No.	PYRAMID PART No.	SPRAGUE PART No.	
C25A	12157	FP454.2	TMT-3877	TYL-3724.7	
C26	12138	BR10015	TD-100-450	TYA-1450	

ITEM No.	TYPE	REPLACEMENT DATA		NOTES
		V-M PART No.	QUAM PART No.	
SP1	PM	21850-2*	6A15Z2	* Alternate Part #21850
SP2	PM	21849-1†	5ZAI22	† Alternate Part #21849
SP3	PM	21850-2*	6A15Z2	
SP4	PM	21849-1†	5ZAI22	

SPEAKER

FIXED CAPACITORS

Capacity values given in the rating column are in mfd. for Paper Capacitors, and in mmfd. for Mica and Ceramic Capacitors.

ITEM No.	RATING	REMARKS	REPLACEMENT DATA			
			AEROVOX PART No.	CORNELL-DUBILIER PART No.	ELMENCO PART No.	SPRAGUE PART No.
C27	1.600V		P888N-1	DF-104	EDP-4-104	6TM-P10
C28	3500 5%			1B5D36	CM-20B-362J	MS-236
C29	3500 5%			1B5D36	CM-20B-362J	MS-238

POWER RECTIFIERS

ITEM No.	CURRENT (Measured)	V-M PART No.	REPLACEMENT DATA		NOTES
			RCA PART No.	SARKES TARZIAN PART No.	
M2	.100A	12602 *	1N1783 *	2F4 *	SR200 *
M3	.100A	12602 *	1N1783 *	2F4 *	SR200 *

RESISTORS (IRC or EQUIVALENT)

All wattages 1/2 watt, or less, unless otherwise listed.

ITEM No.	RATING	REMARKS	ITEM No.	RATING	REMARKS
R22	33Ω 2W		R28	27K 1W	
R23	10Ω 10W		R27	100Ω	
			R28	100Ω	

MISCELLANEOUS

ITEM No.	PART NAME	V-M PART No.	NOTES
M4	Switch	9890	
M5	Motor Ass'y. Motor Ass'y. Complete (Includes motor, Part #9194) (Alliance)	21576	Off-On-Reject (Part of Changer) Complete (Includes motor, Part #9194) (Alliance) Complete (Includes motor, Part #9194) (GI)

TRANSFORMER (AUDIO OUTPUT)

ITEM No.	IMPEDANCE	Y-M PART No.	REPLACEMENT DATA			NOTES
			Merit PART No.	Stencor PART No.	Thornderson PART No.	
T1	3900Ω	12640-1 ①				① Alternate Part #12640
T2	3900Ω	12640-1 ①				

WIRING DATA

General-use Unshielded Hook-up Wire Use BELDEN No. 8530 (Solid) Available in Ten Colors
Power Cord Use BELDEN No. 8524 (Stranded) Available in Ten Colors
Power Cord Use BELDEN No. 1785-B (6 Ft. Length)
Power Cord Use BELDEN No. 1725-K (7 1/2 Ft. Length)

AMP PARTS LIST AND DESCRIPTIONS

TUBES

ITEM No.	USE	TYPE	RAYTHEON			SYLVANIA
			ITEM No.	USE	TYPE	
V1	Channel A AF Amp. - Channel B AF Amp.	7025 (12AX7) *	V3	Channel A Output Channel B Output	501.6GT 501.6GT	

ELECTROLYTIC CAPACITORS

ITEM No.	RATING	CAP.	VOLT.	REPLACEMENT DATA				NOTES
				AEROVOX PART No.	CORNELL-DUBILIER PART No.	MALLORY PART No.	PYRAMID PART No.	
C1	50	25	2300V	P811285	EBR50-25	TC29	TD-50-25	TVA-1206
C2	10	10	2300V	P811250	EBR10-25	TC22	TD-10-25	TVA-1204
C3	10	10	2300V	P811250	EBR10-25	TC22	TD-10-25	TVA-1204

FIXED CAPACITORS

Capacity values given in the rating column are in mfd. for Paper Capacitors, and in mmfd. for Mica and Ceramic Capacitors.

ITEM No.	RATING	REMARKS	REPLACEMENT DATA										
			AEROVOX PART No.	CORNELL-DUBILIER PART No.	ELMENCO PART No.	MALLORY PART No.	SPRAGUE PART No.	CORNELL-DUBILIER PART No.	ELMENCO PART No.	MALLORY PART No.	SPRAGUE PART No.		
C4	.047 400V		P488N-047	DD-503	CUB4847	4DP-3-473	GEM-4147	4TM-547					
C5	100		BFD-0001	DD-101	LI071	CCD-101	GEM-4147	4TM-547					
C6	200 10%		BFD-01	DD-201	LI072	CCD-201	GP320	107S-720					
C7	10000		BFD-01	DD-103	BYA081	CCD-103	B-10	5HK-510					
C8	200 10%		BFD-01	DD-201	BYA081	CCD-201	B-10	5HK-510					
C9	10000		BFD-01	DD-103	BYA081	CCD-103	B-10	5HK-510					
C10	.1 200V		P288N-1	DF-104	CUB2P1	2DP-3-104	GEM-201	2TM-510					
C11	.1 200V		P288N-1	DF-104	CUB2P1	2DP-3-104	GEM-201	2TM-510					
C12	5000		BFD-005	DD-502	BYA1005	CCD-502	B-250	5HK-522					
C13	22000		BFD-02	DD-203	BYE652	CCD-203	B-120	5HK-522					
C14	22000		BFD-02	DD-203	BYE652	CCD-203	B-120	5HK-522					
C15	100		BFD-0001	DD-101	LI071	CCD-101	GF380	107S-710					
C16	200 10%		BFD-01	DD-201	LI072	CCD-201	GF380	107S-720					
C17	10000		BFD-01	DD-103	BYA081	CCD-103	GF380	107S-710					
C18	200 10%		BFD-01	DD-201	BYA081	CCD-201	GF380	107S-720					
C19	10000		BFD-01	DD-103	BYA081	CCD-103	GF380	107S-710					
C20	.1 200V		P288N-1	DF-104	CUB2P1	2DP-3-104	GEM-201	2TM-510					
C21	.1 200V		P288N-1	DF-104	CUB2P1	2DP-3-104	GEM-201	2TM-510					
C22	5000		BFD-005	DD-502	BYA1005	CCD-502	B-250	5HK-522					
C23	22000		BFD-02	DD-203	BYE652	CCD-203	B-120	5HK-522					
C24	.047 400V		P488N-047	DD-503	CUB4847	4DP-3-473	GEM-4147	4TM-547					

CONTROLS

ITEM No.	RATING	RESIST. RANGE	WATTS	REPLACEMENT DATA				INSTALLATION NOTES
				CENTRALAB PART No.	CLAROSTAT PART No.	CTS-IRC PART No.	MALLORY PART No.	
R1A	2meg *			BT-115	AD47-250K-Z	FA254A	Loudness, Channel A	
R2A	500K			B-60	FS Not Req.	R1254A	Loudness, Channel B	
R3A	200K			SR-1	FS Not Req.	R1254A	Balance, Channel A	
R4	Shad			SR-70	FS Not Req.	CS3500	Bass, Channel A	
R5A	1meg			SR-70	FS Not Req.	R116A	Treble, Channel A	
R6	Shad			FS-3	FS-3	CS3500	Treble, Channel B	

* Taps @ 500K and 1meg.

COMPONENT COMBINATIONS

ITEM No.	USE	DESCRIPTION	V-M PART No.	REPLACEMENT DATA
K1	Loudness Comp.	5000mmf, 5000mmf, 47K, 47K	12569	
K2	Loudness Comp.	5000mmf, 5000mmf, 47K, 47K	12569	

RESISTORS (IRC or EQUIVALENT)

All wattages 1/2 watt, or less, unless otherwise listed.

ITEM No.	RATING	REMARKS	ITEM No.	RATING	REMARKS
R5	39K		R17	100K	
R6	15K		R18	470K	
R7	4700Ω		R19	91Ω 2W	
R8	1000Ω		R20	39K	
R9	3900Ω		R21	15K	
R10	470K		R22	470K	

PHONO CARTRIDGE & NEEDLES

*NEEDLE LISTINGS SHOWN ARE FOR RESPECTIVE REPLACEMENT CARTRIDGES ONLY.

ITEM No.	V-M PART No.	REPLACEMENT DATA				NOTES
		ASTATIC PART No.	ELECTRO-VOICE PART No.	SONOTONE PART No.	NEEDLE*	
ML	18973-A	21408 *	30-TS	96T	Not Req.	
		21407 *	80-TS	96T	Not Req.	
		(7BRPM)				

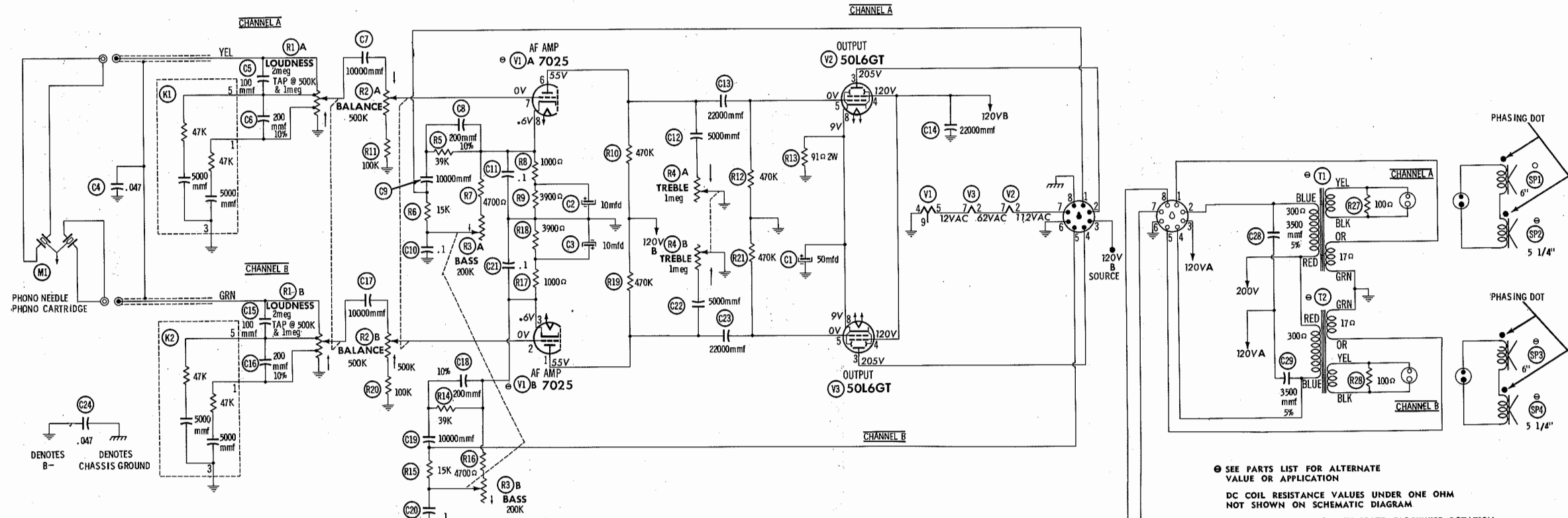
CABINETS & CABINET PARTS

(When Ordering Cabinets & Cabinet Parts, Specify Model, Chassis & Color)

NAME	PART NO.	DESCRIPTION
Knob	21221-C	Loudness, Bass, Treble, Balance
Cabinet Handle	21376-A	

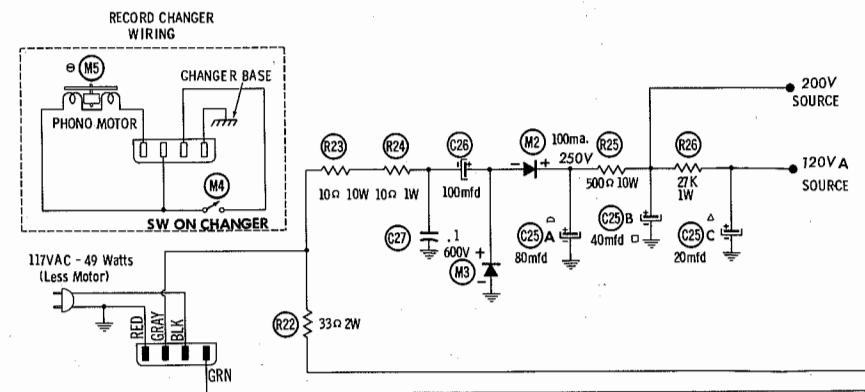
WIRING DATA

General-use Unshielded Hook-up Wire Use BELDEN No. 8530 (Solid) Available in Ten Colors
Power Cord Use BELDEN No. 8524 (Stranded) Available in Ten Colors
Power Cord Use BELDEN No. 1785-B (6 Ft. Length)
Power Cord Use BELDEN No. 1725-K (7 1/2 Ft. Length)
Low-Loss Shielded Lead (Interconnecting) Use BELDEN No. 9401
Phono Pick-up Arm Cable Use BELDEN No. 9430 (Two Conductor - Twisted)



DENOTES
 B- CHASSIS GROUND

1. DC voltage measurements taken with vacuum tube voltmeter; AC voltages measured with 1000 ohm per volt voltmeter.
2. Socket connections are shown as bottom views.
3. Measured values are from socket pin to common ground.
4. Line voltage maintained at 117 volts for voltage readings.
5. Nominal tolerance of component values makes possible a variation of $\pm 15\%$ in voltage and resistance readings.
6. All controls at minimum, proper output load connected.



SEE PARTS LIST FOR ALTERNATE VALUE OR APPLICATION
 DC COIL RESISTANCE VALUES UNDER ONE OHM NOT SHOWN ON SCHEMATIC DIAGRAM
 ARROWS ON CONTROLS INDICATE CLOCKWISE ROTATION (CONTROL VIEWED FROM SHAFT END)

RESISTANCE READINGS

ITEM	TUBE	Pin 1	Pin 2	Pin 3	Pin 4	Pin 5	Pin 6	Pin 7	Pin 8	Pin 9
V1	7025	† 500K	100K	4900Ω	0Ω	15Ω	† 500K	100K	4900Ω	NC
V2	50L6GT	TP	110Ω	† 800Ω	† 27K	470K	TP	65Ω	91Ω	
V3	50L6GT	TP	65Ω	† 800Ω	† 27K	470K	NC	15Ω	91Ω	

† MEASURED FROM OUTPUT OF M2. NC NO CONNECTION TP TIE POINT