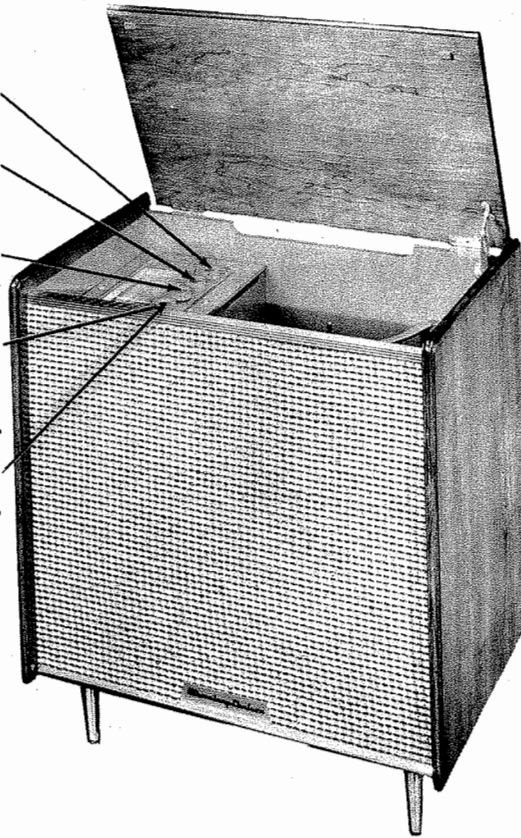




STROMBERG-CARLSON
MODEL HFRP

TUNING
RADIO
PHONO
SWITCH
TREBLE
CONTROL
ON-OFF
SWITCH
VOLUME
CONTROL
BASS
CONTROL



STROMBERG-CARLSON
MODEL HFRP

TRADE NAME	Stromberg-Carlson Model HFRP					
MANUFACTURER	Stromberg-Carlson Co., Service Dept., 1700 University Ave., Rochester 10, N. Y.					
TYPE SET	AC Operated AM Superheterodyne Receiver With 4 Speed Automatic Record Changer.					
TUBES (Eight)	Types 6BA6 RF Amp., 6BE6 Converter, 6BA6 IF Amp., 6AV6 Det. -AVC-1st. AF Amp., 12AX7 2nd AF Amp. -Phase Inverter, (2) 6V6GT Output, 5Y3GT Rectifier.					
POWER SUPPLY	110-120 Volts AC-60 Cycles	RATING	.60 Amp. @ 117 Volts AC			
TUNING RANGE—BROADCAST	540KC -1630KC					
ALIGNMENT INSTRUCTIONS—READ CAREFULLY BEFORE ATTEMPTING ALIGNMENT						
Volume control should be at maximum position. Output of signal generator should be no higher than necessary to obtain an output reading. Use an insulated alignment screwdriver for adjusting.						
DUMMY ANTENNA	SIGNAL GENERATOR COUPLING	SIGNAL GENERATOR FREQUENCY	RADIO DIAL SETTING	OUTPUT METER	ADJUST	REMARKS
1. .1MFD	High side to pin 7 (grid) of 6BE6 (V2). Low side to chassis.	455KC (400v mod)	Around 1000KC	Across voice coil.	A1, A2, A3, A4	Adjust for maximum output. If isolation transformer is not used, reduce dummy antenna to .001MFD to reduce hum modulation.
2.	Loop	600KC	Tune to 600KC	"		If necessary adjust pointer to 600KC.
3.	"	1400KC	Tune to 1400KC signal.	"	A5	Fashion loop of several turns of wire and radiate signal into loop of receiver. Adjust for maximum output.
4.	"	600KC	600KC	"		Adjust antenna coil on loop stick. (Necessary only if loop stick has been replaced.)
5.	"	1400KC	1400KC	"	A6, A7	Fashion loop of several turns of wire and radiate signal into loop of receiver. Adjust for maximum output.

FOR SERVICE INFORMATION ON RECORD CHANGER - SEE SIMILAR V-M MODEL 1200 - PHOTOFACT SET #290-FOLDER 11.

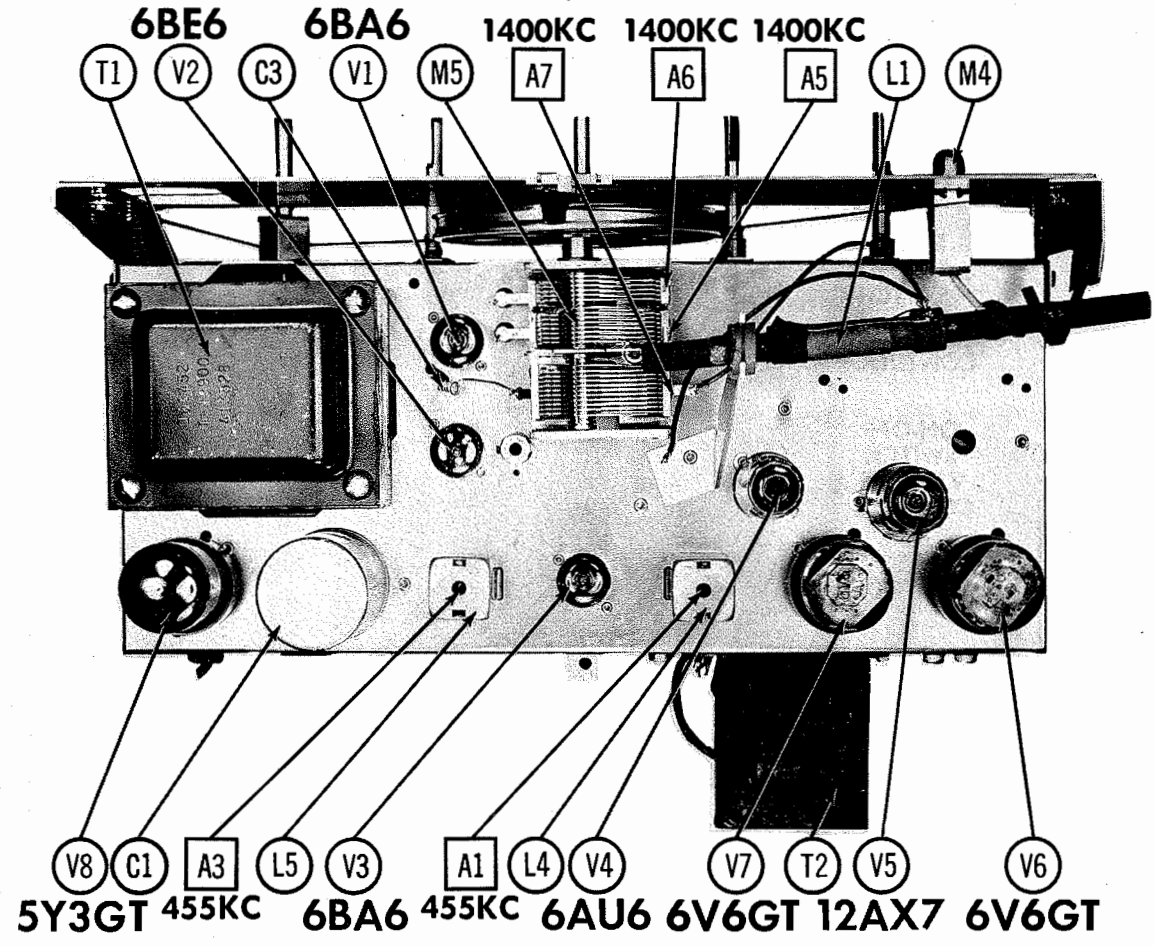
HOWARD W. SAMS & CO., INC. • Indianapolis 5, Indiana

"The listing of any available replacement part herein does not constitute in any case a recommendation, warranty or guaranty by Howard W. Sams & Co., Inc., as to the quality and suitability of such replacement part. The numbers of these parts have been compiled from information furnished to Howard W. Sams & Co., Inc., by the manufacturers of the particular type of replacement part listed."
"Reproduction or use, without express permission, of editorial or pictorial con-

tent, in any manner, is prohibited. No patent liability is assumed with respect to the use of the information contained herein. Copyright 1956 by Howard W. Sams & Co., Inc., Indianapolis 5, Indiana, U. S. of America. Copyright under international Copyright Union. All rights reserved under Inter-American Copyright Union (1910) by Howard W. Sams & Co., Inc." Printed in U. S. of America

PARTS LIST AND DESCRIPTIONS

CHASSIS—TOP VIEW



ITEM No.	USE	REPLACEMENT DATA		NOTES
		Stromberg-Carlson PART No.	STANDARD REPLACEMENT	
V1	RF Amplifier	6BA6	6BA6	
V2	Converter	6BE6	6BE6	
V3	IF Amplifier	6BA6	6BA6	
V4	Det.-AVC-1st. AF Amplifier	6AV6	6AV6	
V5	2nd. AF Amplifier	12AX7	12AX7	
V6	Phase Inverter	6V6GT	6V6GT	
V7	Output	6V6GT	6V6GT	
V8	Rectifier	5Y3GT	5Y3GT	

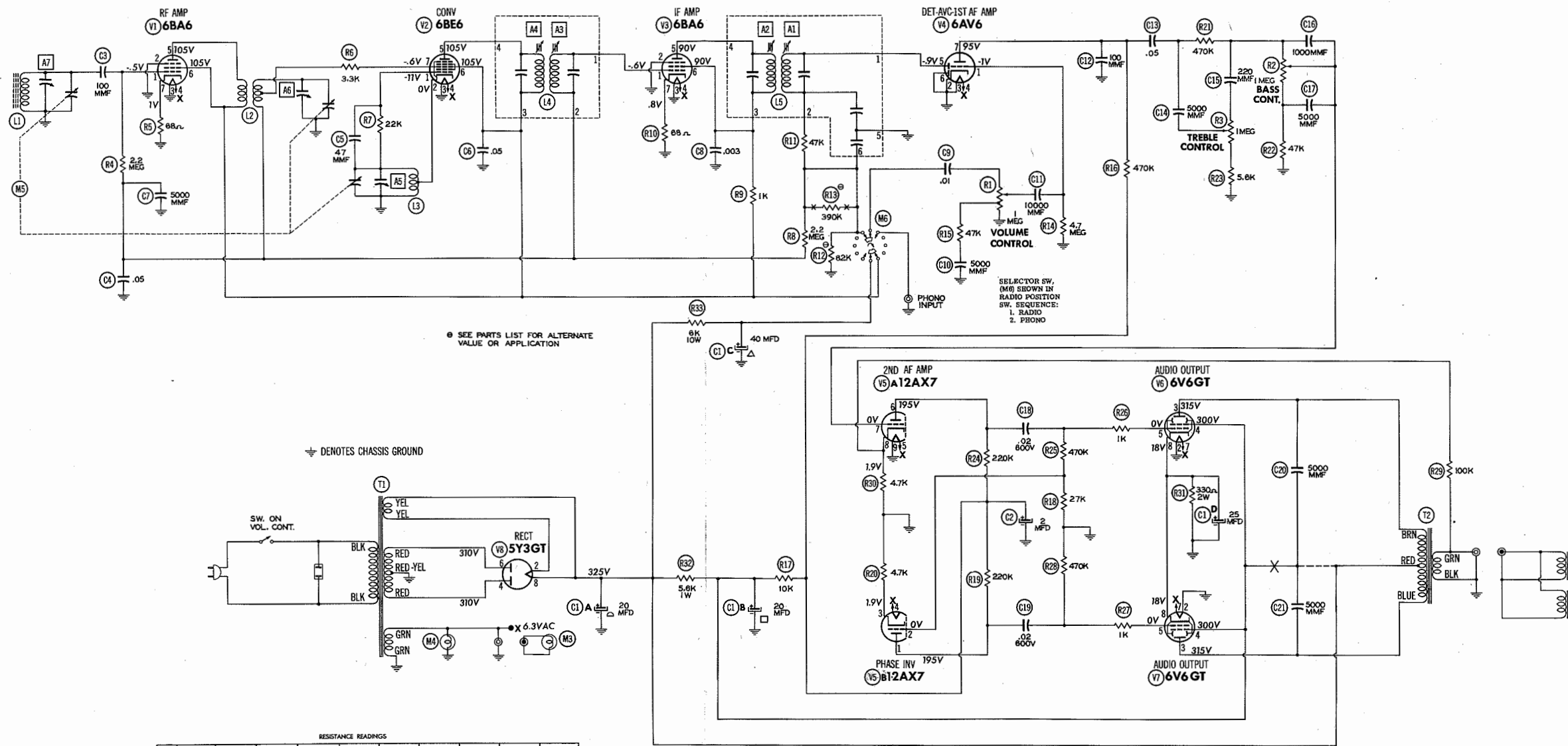
ELECTROLYTIC CAPACITORS

ITEM No.	RATING CAP. VOLT.	REPLACEMENT DATA			
		Stromberg-Carlson PART No.	AEROVOX PART No.	CORNELL-DUBILIER PART No.	MALLORY PART No.
C1A	.20 450	11090	AFH4-76	D082	FP480.2
C1B	.20 450				TM-4100
C1C	.40 350				
C1D	.25 25				
C2	2 450	11119	PRS450V2	BR245	TC70
					TD-2-450
					FM-4504
					TYL-4732
					Q-370
					FM-4504
					TYA-1701

FIXED CAPACITORS

Capacity values given in the rating column are in mfd. for Paper Capacitors, and in mmfd. for Mica and Ceramic Capacitors.

ITEM No.	RATING CAP. VOLT.	REPLACEMENT DATA								NOTES
		Stromberg-Carlson PART No.	AEROVOX PART No.	CENTRALAB PART No.	CORNELL-DUBILIER PART No.	MALLORY PART No.	ERIE PART No.	BYRAMID PART No.	SANGAMO PART No.	
C3	100	110684	S1100	D6-101	TP34	GPIK-101	UC-531	5GA-T1		
C4	.05 400	110801	BPD-05	DF-503	CUB4S	CUB4S	PT415	4TM-S5		
C5	.47 400	110695	S147	D6-470	TP29	GP2K-471	UC-5447	5GA-Q47		
C6	.05 400	110801	BPD-05	DF-503	CUB4S	CUB4S	PT415	4TM-S5		
C7	5000	110586	BPD-005	DD-502	K080	81L-005	DC-525	5HK-D5		
C8	.003 400	110698	S13000	D6-302	CUB6D3	GP2-333-302	PT623	6TM-D3		
C9	.01 400	110687	BPD-01	D6-103	CUB4S1	GP3-333-103	PT41	4TM-S1		
C10	5000	110850	BPD-005	DD-502	K080	81L-005	DC-525	5HK-D5		
C11	10000	110872	BPD-01	DD-103	K082	81L-01	DC-511	5HK-S1		
C12	100 400	110894	S1100	D6-101	TP34	GPIK-101	UC-531	5GA-T1		
C13	.05 400	110801	BPD-05	DF-503	CUB4S	CUB4S	PT415	4TM-S5		
C14	5000	110850	BPD-005	DD-502	K080	81L-005	DC-525	5HK-D5		
C15	220 600	110462	S1220	D6-221	TP39	GP2K-221	UC-5322	5GA-T22		
C16	1000 600	110849	BPD-005	DD-102	K069	801-001	DC-521	5HK-D1		
C17	5000 600	110850	BPD-005	DD-502	K080	81L-005	DC-525	5HK-D5		
C18	.02 600	110807	BPD-02	DD-203	CUB6S2	81T-02	PT012	6TM-S2		
C19	.02 600	110807	BPD-02	DD-203	CUB6S2	81T-02	PT012	6TM-S2		
C20	5000 600	110850	BPD-005	DD-502	K080	81L-005	DC-525	5HK-D5		
C21	5000 600	110850	BPD-005	DD-502	K080	81L-005	DC-525	5HK-D5		



IF = 455KC

RESISTANCE READINGS

Item	Tube	Pin 1	Pin 2	Pin 3	Pin 4	Pin 5	Pin 6	Pin 7	Pin 8	Pin 9
v 1	6BA6	4.8Meg	0Ω	0Ω	.1Ω	+6KΩ	+6KΩ	68Ω		
v 2	6BE6	22KΩ	.5Ω	0Ω	.1Ω	+6KΩ	+6KΩ	2.5Meg		
v 3	6BA6	2.5Meg	0Ω	0Ω	.1Ω	+7KΩ	+7KΩ	68Ω		
v 4	6AV6	4.7Meg	0Ω	0Ω	.1Ω	519KΩ	0Ω	+485KΩ		
v 5	12AX7	+235KΩ	27KΩ	4.7KΩ	.1Ω	.1Ω	+235KΩ	47KΩ	4.7KΩ	0Ω
v 6	6V6GT	TP	0Ω	+170Ω	+5.6KΩ	500KΩ	TP	.1Ω	330Ω	
v 7	6V6GT	TP	0Ω	+170Ω	+5.6KΩ	471KΩ	TP	.1Ω	330Ω	
v 8	5Y3GT	NC	50KΩ	TP	90Ω	NC	90Ω	NC	50KΩ	

ALL MEASUREMENTS TAKEN IN RADIO POSITION.
 ** BASS CONTROL AT MAXIMUM CLOCKWISE POSITION.
 † MEASURED FROM PIN 8 OF V8.
 †† BASS CONTROL AT MAXIMUM COUNTER-CLOCKWISE POSITION.
 TP TIE POINT.
 NC NO CONNECTION.

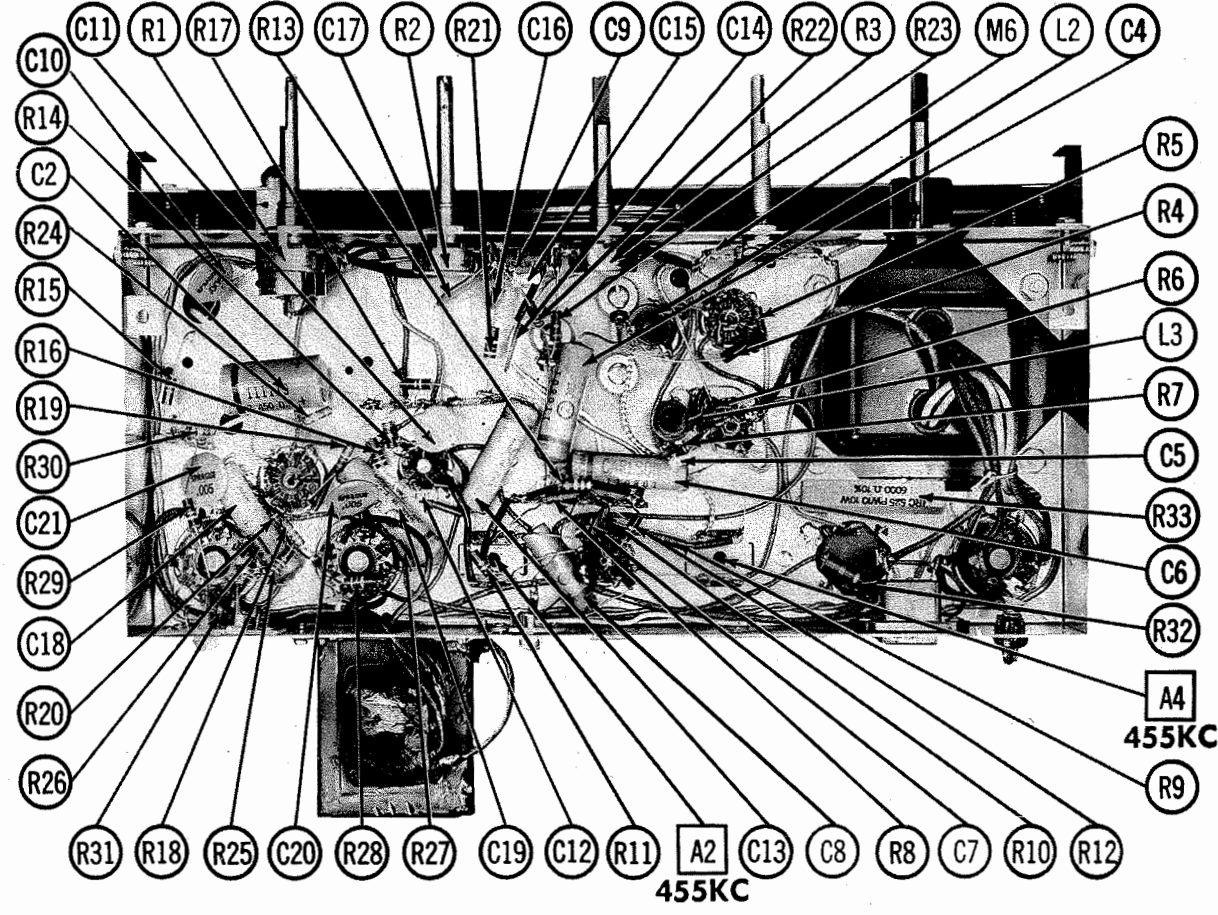
- DC voltage measurements taken with vacuum tube voltmeter; AC voltages measured at 1000 ohms per volt.
- Socket connections are shown as bottom views.
- Measured values are from socket pin to common negative.
- Line voltage maintained at 117 volts for voltage readings.
- Nominal tolerance on component values makes possible a variation of ± 10% in voltage and resistance readings.
- Volume control at maximum, no signal applied for voltage measurements.

PARTS LIST AND DESCRIPTIONS (Continued)

CONTROLS

ITEM No.	REPLACEMENT DATA					INSTALLATION NOTES
	RATING RESIST-ANCE	STromberg-Carlson PART No.	CENTRALAB PART No.	CLAROSTAT PART No.	IRC PART No.	
R1A	1Meg	145192	A3T-74	A47F5-1Meg	Q19-137K	UT-443
B	Switch	Not Req.	AK-3	Not Req.	Not Req.	Not Req.
C	1Meg	145193	KB-1	SWE-12	76-1	US-26
R2A	B Shaft	145193	B-70	A47-1Meg-Z	Q13-137	U-53
B	Shaft	Not Req.	Not Req.	FS-3	Not Req.	Not Req.
R3A	1Meg	145193	B-70	A47-1Meg-Z	Q13-137	U-53
B	Shaft	Not Req.	Not Req.	FS-3	Not Req.	Not Req.

CHASSIS—BOTTOM VIEW



RESISTORS

ITEM No.	RATING		REPLACEMENT DATA		NOTES
	OHMS	WATT	STromberg-Carlson PART No.	IRC PART No.	
R4	2.2Meg		149121	BTS-2.2Meg	
R5	660		28144	BTS-66	
R6	33000		149104	BTS-3300	
R7	22K 5%		149109	BTS-22K	
R8	2.2Meg		149121	BTS-2.2Meg	
R9	10000		149101	BTS-10000	
R10	660		28144	BTS-66	
R11	47K 5%		149111	BTS-47K	Note 1
R12	82K			BTS-82K	Note 2
R13	390K		149123	BTS-390K	
R14	4.7Meg 5%		149111	BTS-4.7Meg	
R15	47K 5%		149117	BTS-47K	
R17	10K 5%		149107	BTS-10K	
R18	27K 5%		28174	BTS-27K	

Note #1. Some versions use a 470KΩ/2 W resistor in this application. (Mfg. Part #149117).
Note #2. Not used in some versions.

TRANSFORMER (POWER)

ITEM No.	RATING		REPLACEMENT DATA		Triad PART No.
	PRI	SEC.	STromberg-Carlson PART No.	Merit PART No.	
T1	117VAC @ .6A	SEC. 1 57VAC @ .7A SEC. 2 6.3VAC @ 2.75A	161452	P9312	R-9B

TRANSFORMER (AUDIO OUTPUT)

ITEM No.	REPLACEMENT DATA		NOTES
	STromberg-Carlson PART No.	Merit PART No.	
T2	21007	A-2904	

SPEAKER

ITEM No.	RATINGS		REPLACEMENT DATA		NOTES
	SIZE	FIELD	STromberg-Carlson PART No.	QUAM TYPE No.	
SP1	12"	60	155772	12A6Z6	
SP2	8"	60	155875	8A6Z6	

PARTS LIST AND DESCRIPTIONS (Continued)

COILS (RF-IF)

ITEM No.	USE	DC RES.		REPLACEMENT DATA		MEISSNER PART No.	MILLER PART No.	NOTES
		PRI	SEC.	STromberg-Carlson PART No.	Merit PART No.			
L1	Ant. Coil	.30		139073				
L2	RF Coil	.60	100*	114405				
L3	Osc. Coil	8.3		114160				
L4	Input IF	150	150	114384	18-6758	BC-352	12-C1	*Tapped @ 5.40 Tapped @ .60
L5	Output IF	150	150	114453	18-6770	BC-355	12-C6	

PHONO CARTRIDGE

ITEM No.	REPLACEMENT DATA		REMARKS
	ASTATIC CARTRIDGE	ELECTRO-VOICE CARTRIDGE	
M1	55-TB	N35TU 47 0-1 of S-1 and 0-3	

ASTATIC AND ELECTRO VOICE NEEDLE LISTINGS SHOWN ABOVE ARE SPECIFIED FOR THE RESPECTIVE REPLACEMENT CARTRIDGES LISTED. FOR ORIGINAL CARTRIDGE NEEDLE REPLACEMENTS SEE BELOW.

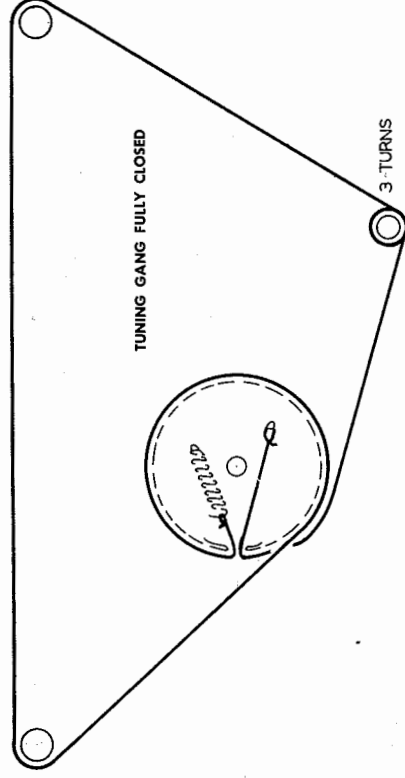
PHONO NEEDLE

(FOR REPLACEMENT IN ORIGINAL EQUIPMENT CARTRIDGE)

ITEM No.	REPLACEMENT DATA		REMARKS
	JENSEN PART No.	PERMO PART No.	
M2	*JP-36 or † JPS-36 or † JPS-36SD	WALCO PART No. *W-33TPA or † W-33TPS or † W-33DS or *W-33TPD	

MISCELLANEOUS

ITEM No.	PART NAME	REPLACEMENT DATA		NOTES
		STromberg-Carlson PART No.	Merit PART No.	
M3	Pilot Light	137012		Cabinet - #1855.
M4	Dial Light	29956		#44
M5	Tuning Cap.	110061		3 Gang (27-365MMF, 19-250MMF, 15-110MMF).
M6	Switch	158059		Radio-Phono (Rotary - Water Type).
	Cabinet	108536		Cherry Finish
	Knob	134302		All Controls



DIAL CORD STRINGING