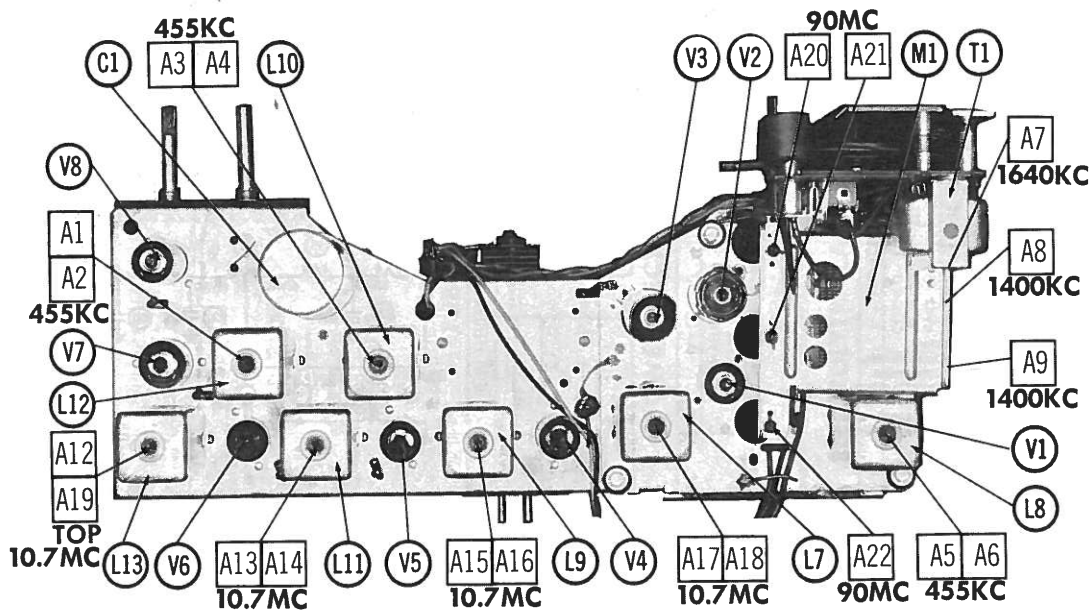


MODEL H-845Y

TRADE NAME: Zenith Models H845E, H845L, H845W, H845Y, (CH. 8H20)  
 SUPPLIER: For Current Address, See Master Index.  
 TYPE SET: 8 Tube AM-FM Receiver  
 POWER SUPPLY: 110-117 Volts AC, 60 Cycles      RATING: 34 Watts, .38 Amp. @ 117 Volts AC  
 TUNING RANGE: BROADCAST 530-1640KC      FREQ. MOD. 86-109.5MC



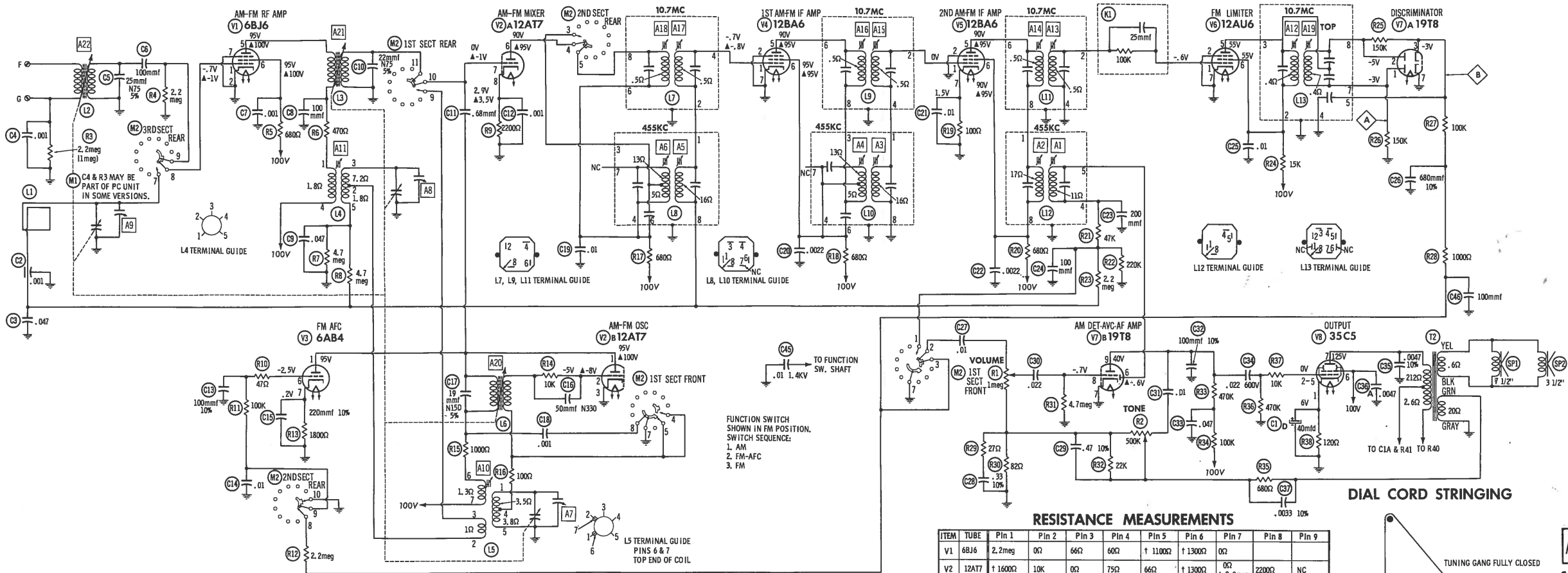
HOWARD W. SAMS & CO., INC. Indianapolis 6, Indiana

The listing of any available replacement part herein does not constitute in any case a recommendation, warranty or guaranty by Howard W. Sams & Co., Inc., as to the quality and suitability of such replacement part. The numbers of these parts have been compiled from information furnished to Howard W. Sams & Co., Inc., by the manufacturers of the particular type of replacement part listed. MK894

Reproduction or use, without express permission, of editorial or pictorial content, in any manner, is prohibited. No patent liability is assumed with respect to the use of the information contained herein. © 1964 Howard W. Sams & Co., Inc., Indianapolis 6, Indiana. Printed in U. S. of America

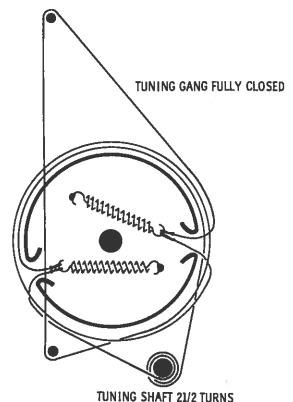
DATE 11-64 SET 725 FOLDER 10





FUNCTION SWITCH SHOWN IN FM POSITION. SWITCH SEQUENCE:  
 1. AM  
 2. FM-AFC  
 3. FM

**DIAL CORD STRINGING**



**RESISTANCE MEASUREMENTS**

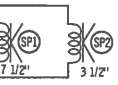
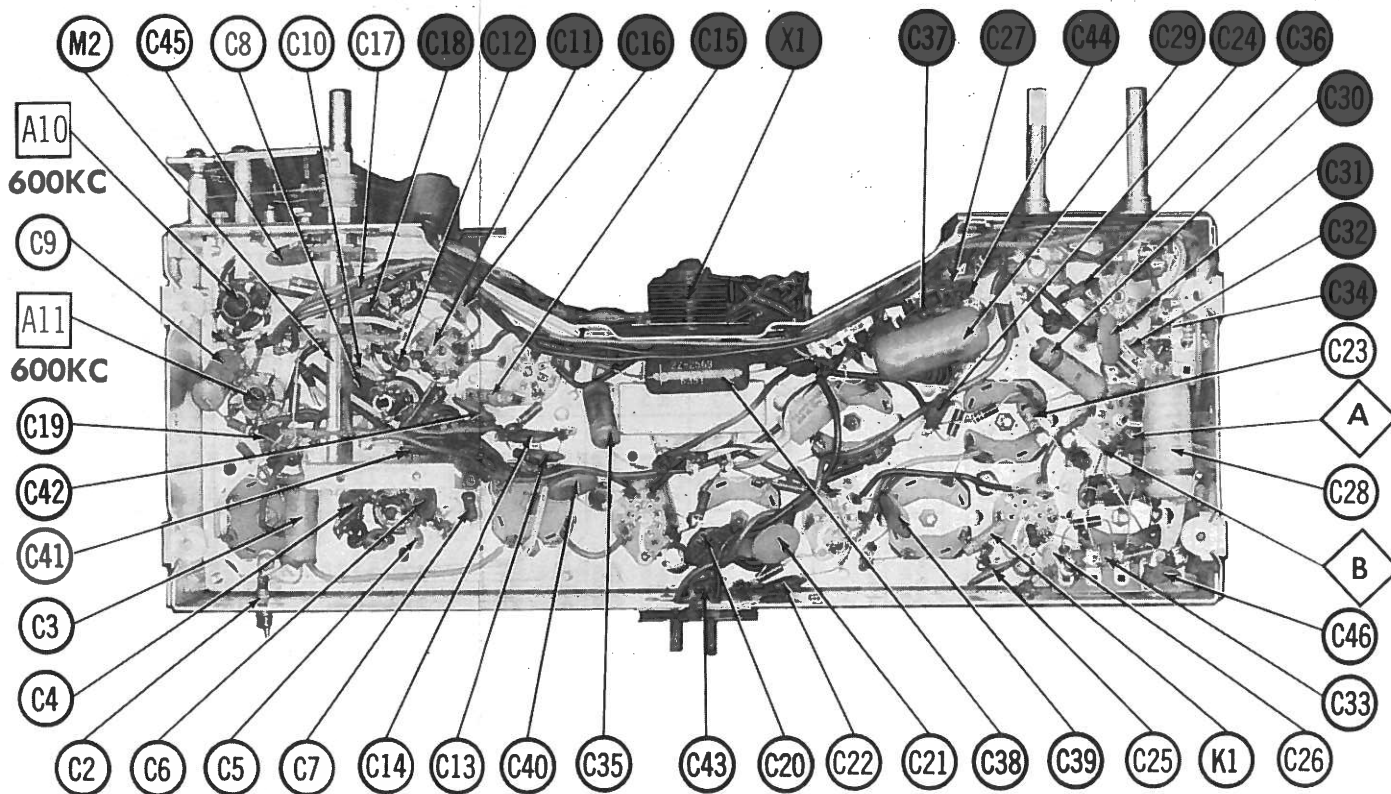
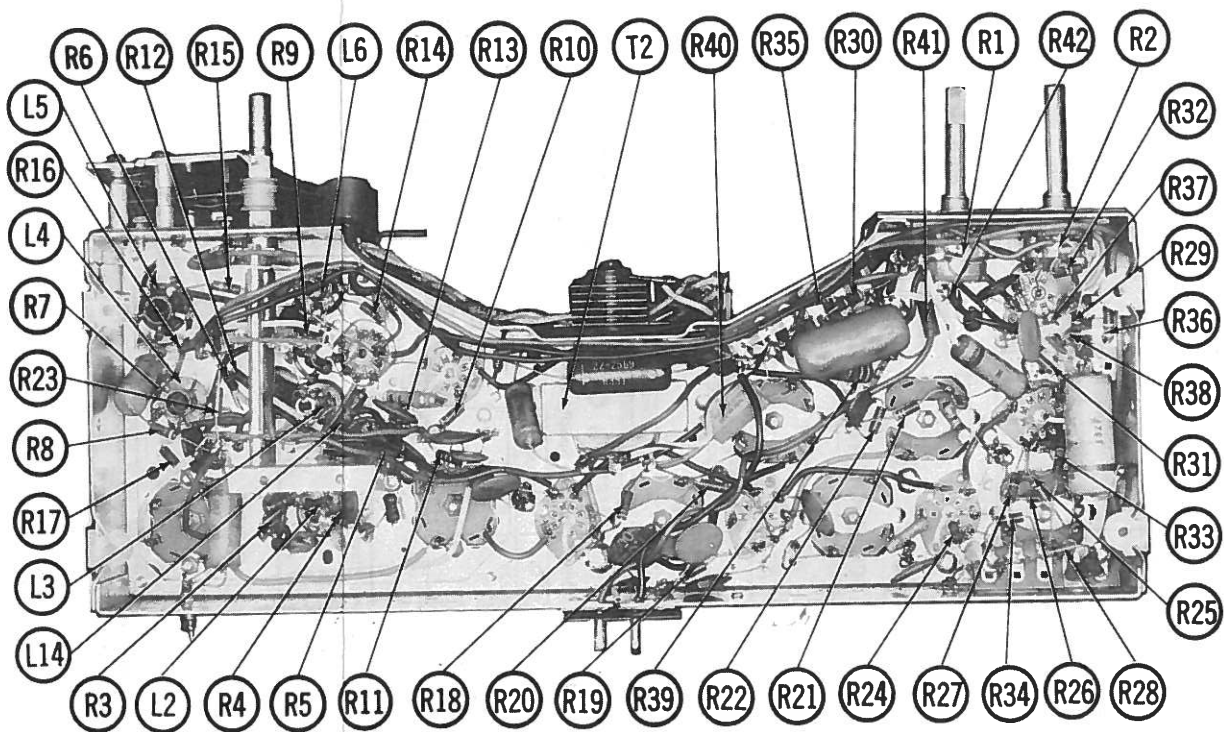
ITEM	TUBE	Pin 1	Pin 2	Pin 3	Pin 4	Pin 5	Pin 6	Pin 7	Pin 8	Pin 9
V1	6BJ6	2.2meg	0Ω	66Ω	60Ω	† 1100Ω	† 1300Ω	0Ω		
V2	12A7	† 1600Ω	10K	0Ω	75Ω	66Ω	† 1300Ω	0Ω ▲ 2.9meg	2200Ω	NC
V3	6AB4	† 1600Ω	NC	75Ω	81Ω	NC	100K	1800Ω		
V4	12BA6	2.4meg	0Ω	60Ω	48Ω	† 1300Ω	† 1300Ω	0Ω		
V5	12BA6	16.5Ω	0Ω	48Ω	36Ω	† 1300Ω	† 1300Ω	100Ω		
V6	12AU6	100K	0Ω	36Ω	19Ω	† 15.6K	† 15.6K	0Ω		
V7	19T8	150K	150K	300K	0Ω	19Ω	270K	0Ω	4.7meg	† 570K
V8	35C5	120Ω	480K	110Ω	81Ω	480K	† 630Ω	† 245Ω		

ALL MEASUREMENTS TAKEN IN "FM" POSITION UNLESS OTHERWISE DESIGNATED. NC NO CONNECTION  
 ▲ MEASURED IN "AM" POSITION. † MEASURED FROM OUTPUT OF X1.

- Resistors are 1/2 watt or less and rated 10% or 20% unless otherwise indicated.
- ⊕ See parts list for alternate value or application.
1. Voltage measurements taken with vacuum tube voltmeter.
  2. All controls set for normal operation, no signal applied.
  3. Measured values are from socket pin or terminal to common ground.
  4. All terminals viewed from bottom unless otherwise designated.
  5. Numbers assigned to terminals may not be found on the unit.
  6. Supply voltage maintained at rated value for voltage readings.

A PHOTOFAC STANDARD NOTATION SCHEMATIC  
 ©Howard W. Sams & Co., Inc. 1964

**ZENITH MODELS  
 H845E/L/W/Y (Ch. 8H20)**



NG

FULLY CLOSED

RNS

